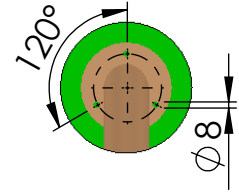
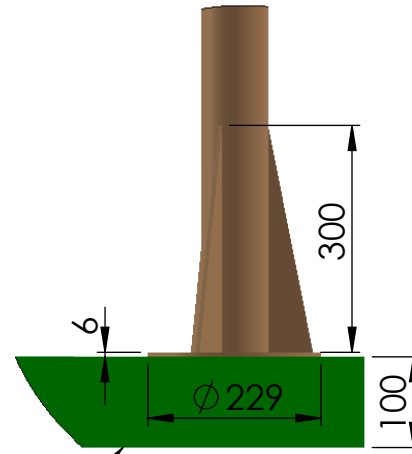
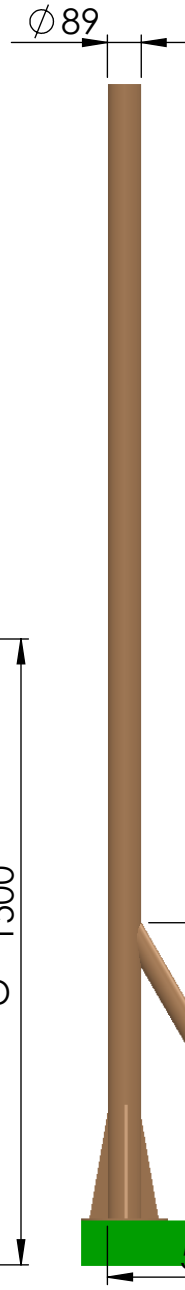
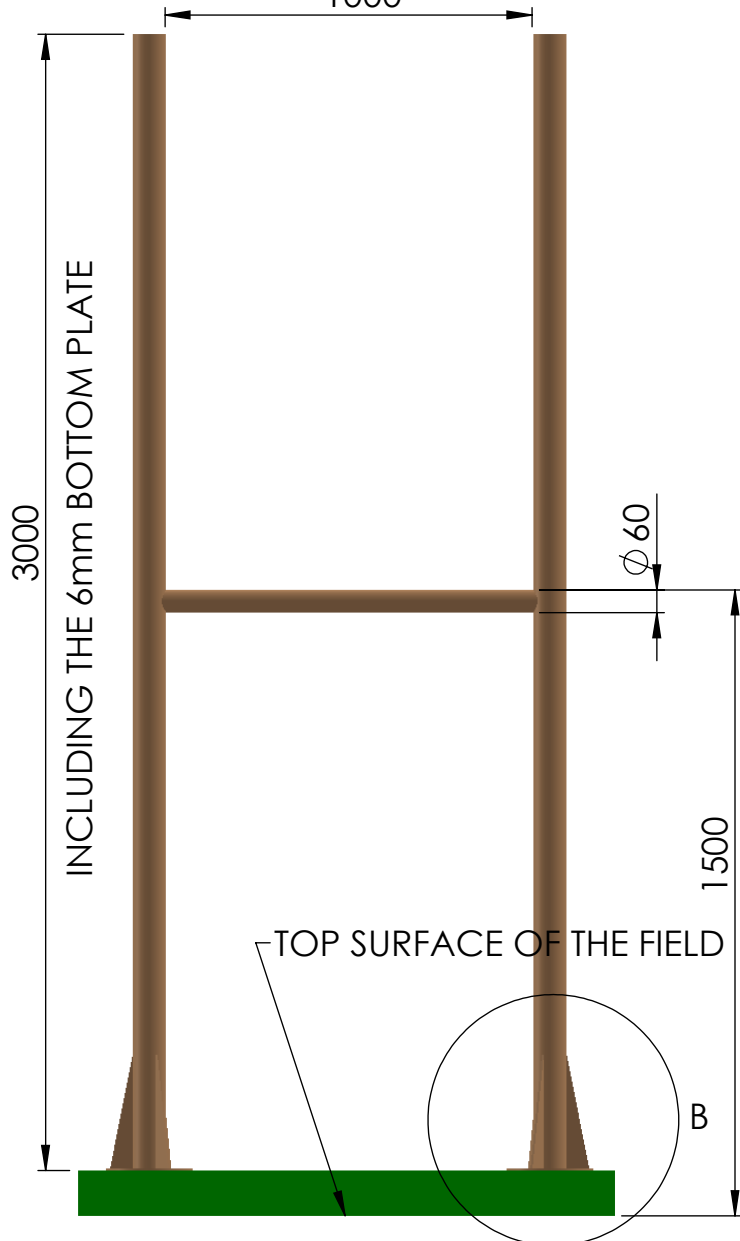


ALL DIMENSIONS ARE IN MILLIMETERS



DETAIL A

DETAIL C



DETAIL B

TOP SURFACE OF THE FIELD

